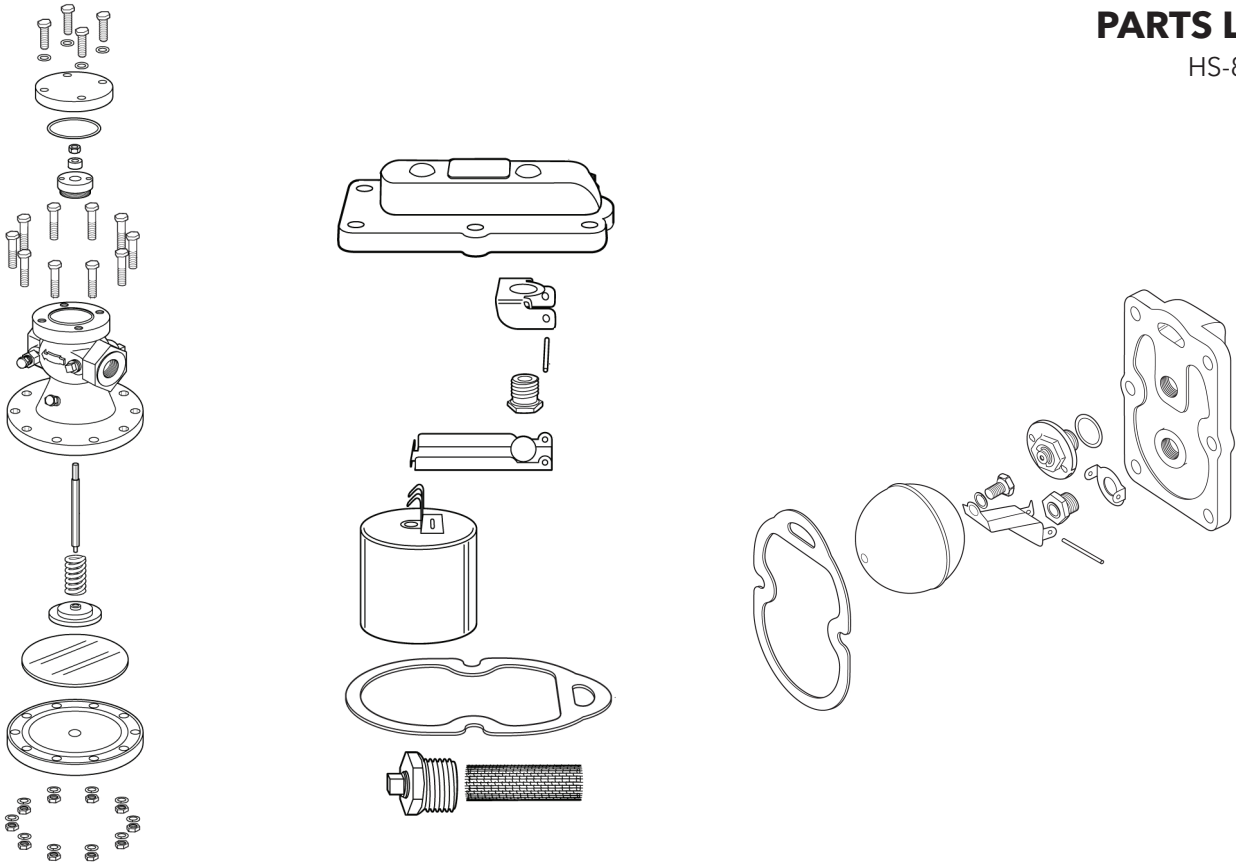
























PARTS LIST

HS-800C




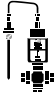








Hoffman Specialty[®] Service Parts Catalog





BEAR TRAP® STEAM TRAPS

FLOAT AND THERMOSTATIC			INVERTED BUCKET		
	SERIES	PAGE		SERIES	PAGE
	C 	6		B0 	13
	H 	4		B1 	14
	I 	5		B2 	14
	X 	6		B3 	16
	55 	8		B4 	16
	550 	8		B6 	18
	590 	8		600 	19
Competitive Changeover		10			
			THERMODISC		
THERMOSTATIC				TD6520 	21
	8C 	11		TD6420 	21
	9C 	11			
	17C 	11			
	17K 	11			
Competitive Changeover Replacement Modules	Dura-stat® 	12			

REGULATORS & PILOTS

PRESSURE (FOR STEAM SERVICE)	SERIES	PAGE	TEMPERATURE (FOR STEAM SERVICE)	SERIES	PAGE		
Pilot Operated	2100		22	Tempering Valves (for Water Service)	21		34
	2200		24		Self-Activated (for Steam or Water Service)	1140	
	2300		24	1141			30
• Air Pressure Control	AP		28	Self-Contained Pressure Reducing	754		29
• Spring Pressure Control	SPS		27				
• Temperature Control Self-Contained	STPA		26				


VENTS

STEAM	SERIES		PAGE
High Pressure	8C		11
WATER			
	78		36
	79		36
	792		35


VACUUM BREAKERS

VACUUM BREAKERS	SERIES		PAGE
	62		35

VALVES

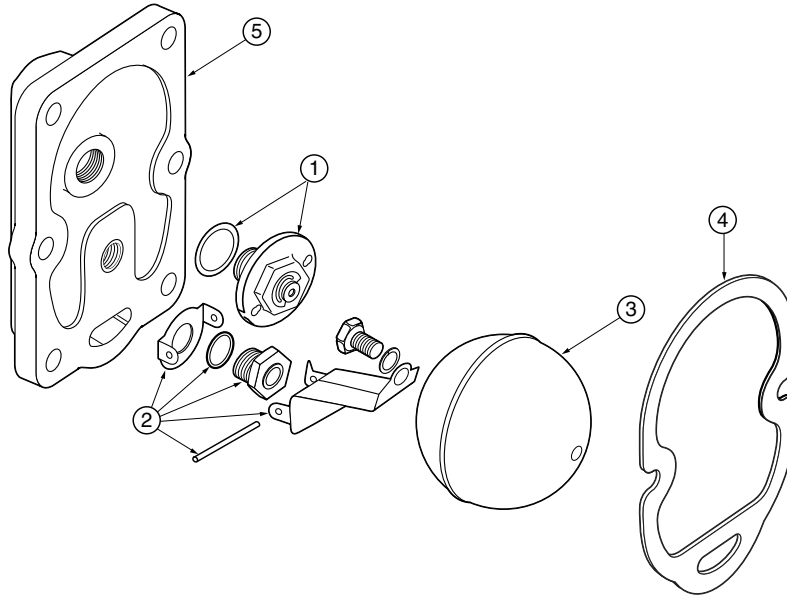
DRAIN	SERIES		PAGE
	793		35

Y-STRAINERS

Y-STRAINERS	SERIES		PAGE
<i>For Steam or Water</i>	400		37

Float and Thermostatic Steam Traps

Series H
 3/4" - 2"



Ordering Information

Model Number *	NPT	Pressure psi (bar)	Cover Assembly (Includes Items 1 - 5) Part Number	Item 1 Thermostat Part Number	Item 2 Lever & Valve Assembly Part Number	Item 3 Float Ball Part Number	Item 4 Cover Gasket Part Number	
							Qty. (1)	Qty. (10)
FT015H-3,-4	3/4, 1	15 (1.0)	604001	601111	604019	601252	604030	600245
FT015H-5	1 1/4	15 (1.0)	604006	601111	604024	601252	604030	600245
FT015H-6	1 1/2	15 (1.0)	601120	601111	601201	601258	601270	N/A
FT015H-8	2	15 (1.0)	601123	601111	601204	601261	600345	N/A
FT030H-3,-4	3/4, 1	30 (2.0)	604002	699854	604020	601252	604030	600245
FT030H-5	1 1/4	30 (2.0)	604007	699854	604019	601252	604030	600245
FT030H-6	1 1/2	30 (2.0)	601138	699854	601213	601258	601270	N/A
FT075H-3,-4	3/4, 1	75 (5.1)	604003	699854	604021	601252	604030	600245
FT125H-3,-4	3/4, 1	125 (8.5)	604004	699854	604022	601252	604030	600245
FT175H-3,-4	3/4, 1	175 (11.9)	604005	699854	604023	601252	604030	600245

Note: For item 2, gasket is included only on 1 1/2" and 2" models.

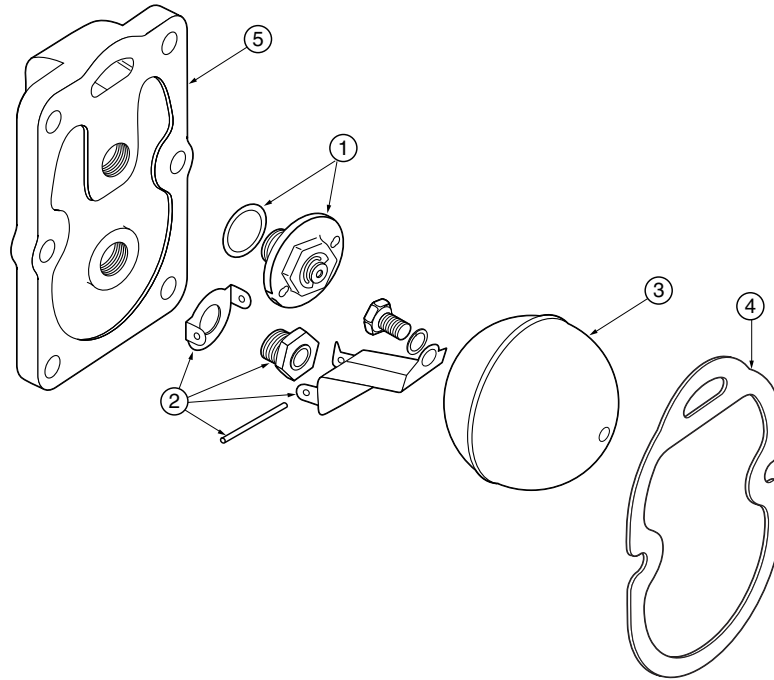
Item 3 includes mounting screw and washer.

Cover casting only sold with Cover Assembly.

* "J" Suffix at end of model number indicates BSPT threads

Float and Thermostatic Steam Traps

Series I
 3/4" - 1 1/4"



Ordering Information

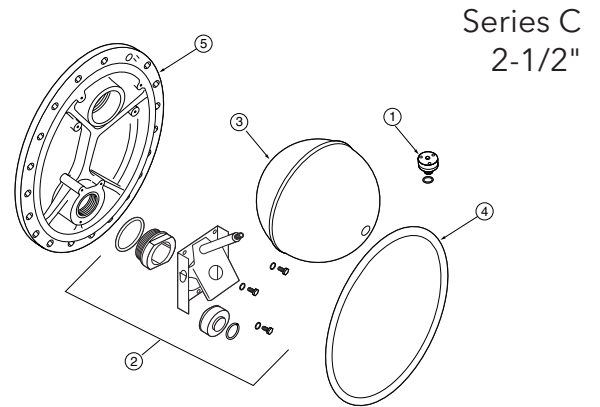
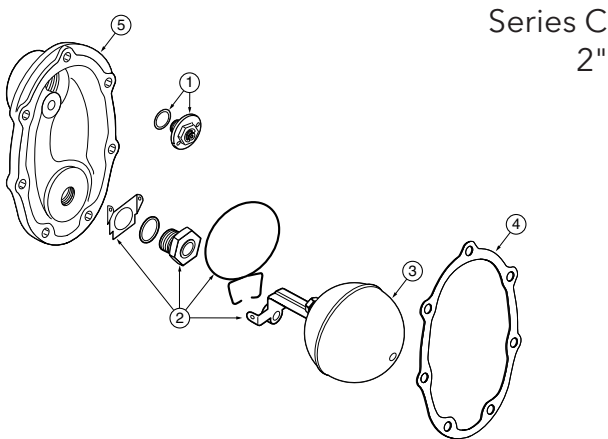
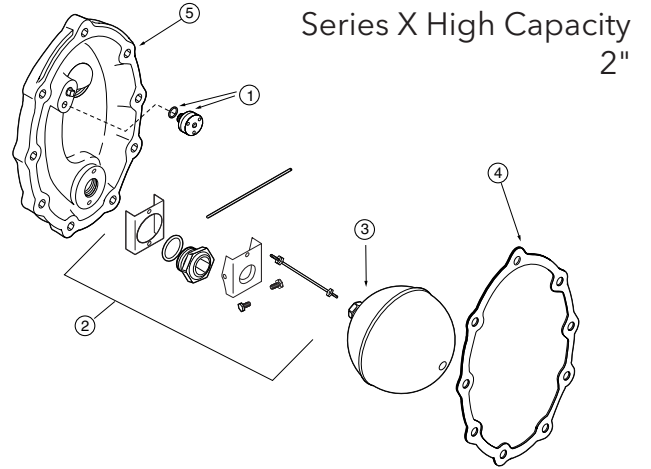
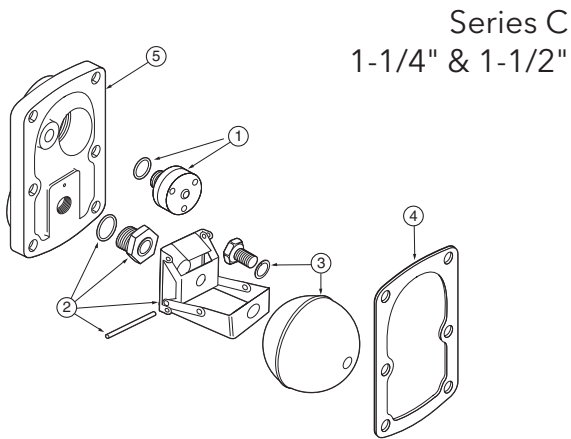
Model Number *	NPT	Pressure psi (bar)	Cover Assembly (Includes Items 1 - 5) Part Number	Item 1 Thermostat Part Number	Item 2 Lever & Valve Assembly Part Number	Item 3 Float Ball Part Number	Item 4 Cover Gasket Part Number	
							Qty. (1)	Qty. (10)
FT015I-3,-4	3/4, 1	15 (1.0)	604043	601111	604019	601252	604030	600245
FT015I-5	1 1/4	15 (1.0)	604044	601111	604024	601252	604030	600245
FT030I-3,-4	3/4, 1	30 (2.0)	604045	699854	604020	601252	604030	600245
FT030I-5	1 1/4	30 (2.0)	604046	699854	604019	601252	604030	600245
FT075I-3,-4	3/4, 1	75 (5.1)	604047	699854	604021	601252	604030	600245
FT075I-5	1 1/4	75 (5.1)	604047	699854	604021	601252	604030	600245
FT125I-3,-4	3/4, 1	125 (8.5)	604048	699854	604022	601252	604030	600245
FT125I-5	1 1/4	125 (8.5)	604048	699854	604022	601252	604030	600245
FT175I-3,-4	3/4, 1	175 (11.9)	604049	699854	604023	601252	604030	600245
FT175I-5	1 1/4	175 (11.9)	604049	699854	604023	601252	604030	600245

Note: Item 3 includes mounting screw and washer.
 Cover casting only sold with Cover Assembly.

* "J" Suffix at end of model number indicates BSPT threads

Float and Thermostatic Steam Traps

Series C & X **BEAR TRAP**®



Item	Description
1	Thermostat assembly
2	Float lever, mounting pin and yoke, valve pin and seat
3	Float ball (mounting screw and washer included)
4	Cover gasket
5	Cover casting

Float and Thermostatic Steam Traps

Series C & X  (continued)

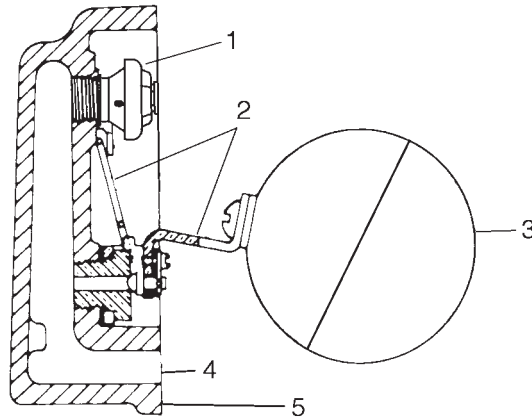
Ordering Information

Model Number *	NPT	Pressure psi (bar)	Style	Cover Assembly (Includes Items 1-5) Part Number	Item 1 Thermostat Part Number	Item 2 Lever and Valve Assembly Part Number	Item 3 Float Ball Part Number	Item 4 Cover Gasket Part Number	Item 5 Cover Casting Part Number
FT015C-6	1½	15 (1.0)	C	604011	601111	604025	604032	604031	N/A
FT015C-8	2	15 (1.0)	C	N/A	601111	604033	601261	699853	604041
FT015X-8	2	15 (1.0)	X	N/A	699854	604034	601335	699852	604042
FT015C-10	2½	15 (1.0)	C	N/A	699854	604035	699855	699851	604040
FT030C-6	1½	30 (2.0)	C	604012	699854	604026	604032	604031	N/A
FT030C-8	2	30 (2.0)	C	N/A	699854	699867	601261	699853	604041
FT030X-8	2	30 (2.0)	X	N/A	699854	699863	601335	699852	604042
FT030C-10	2½	30 (2.0)	C	N/A	699854	699859	699855	699851	604040
FT075C-5	1¼	75 (5.1)	C	604008	699854	604027	604032	604031	N/A
FT075C-6	1½	75 (5.1)	C	604013	699854	604027	604032	604031	N/A
FT075C-8	2	75 (5.1)	C	N/A	699854	699866	601261	699853	604041
FT075X-8	2	75 (5.1)	X	N/A	699854	699862	601335	699852	604042
FT075C-10	2½	75 (5.1)	C	N/A	699854	699858	699855	699851	604040
FT125C-5	1¼	125 (8.5)	C	604009	699854	604028	604032	604031	N/A
FT125C-6	1½	125 (8.5)	C	604014	699854	604028	604032	604031	N/A
FT125C-8	2	125 (8.5)	C	N/A	699854	699865	601261	699853	604041
FT125X-8	2	125 (8.5)	X	N/A	699854	699861	601335	699852	604042
FT125C-10	2½	125 (8.5)	C	N/A	699854	699857	699855	699851	604040
FT175C-5	1¼	175 (11.9)	C	604010	699854	604029	604032	604031	N/A
FT175C-6	1½	175 (11.9)	C	604015	699854	604029	604032	604031	N/A
FT175C-8	2	175 (11.9)	C	N/A	699854	699864	601261	699853	604041
FT175X-8	2	175 (11.9)	X	N/A	699854	699860	601335	699852	604042
FT175C-10	2½	175 (11.9)	C	N/A	699854	699856	699855	699851	604040

* "J" Suffix at end of model number indicates BSPT threads, contact factory for Cover Casting and Cover Assemblies for BSPT units.

Float and Thermostatic Steam Traps

Series 55, 550 & 590 **BEAR TRAP®** (Previously Manufactured)



Item	Description
1	Thermostat assembly (appearance may vary)
2	Float lever and valve assembly (float lever, aligning screw and lockwasher, valve pin, and cotter pin, valve seat, seat yoke and gasket, spring)
3	Float ball assembly (float ball and round head screw)
4	Cover gasket
5	Cover casting

Float and Thermostatic Steam Traps

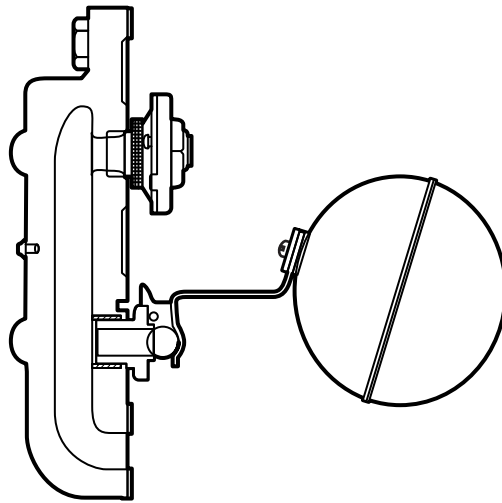
Series 55, 550 & 590  (continued)

Model No.	NPT	Pressure psi (bar)	Cover Assembly (Includes Items 1-5) Part Number	Item 1 Thermostat Part Number	Item 2 Lever and Valve Assembly Part Number	Item 3 Float Ball Part Number	Item 4 Cover Gasket Part Number
53, 55	¾	15 (1.0)	600129	601111	—	—	601264
54, 55	1	15 (1.0)	601114	601111	—	—	601264
55, 56	1¼	15 (1.0)	601117	601111	—	—	601267
55, 57	1½	15 (1.0)	601120	601111	—	—	601270
55, 58	2	15 (1.0)	601123	601111	—	—	600345
540, 550	1	30 (2.0)	601129	699854	—	—	601264
550, 560	1¼	30 (2.0)	601135	699854	—	—	601267
550	1½	30 (2.0)	601138	699854	—	—	601270
550	*2	30 (2.0)	—	699854	699867	601261	699853
541, 551	1	75 (5.1)	601147	699854	—	—	601264
551, 561	1¼	75 (5.1)	601153	699854	—	—	601267
551	1½	75 (5.1)	601156	699854	—	—	601270
551	*2	75 (5.1)	—	699854	699866	601261	699853
542, 552	1	125 (8.5)	601165	699854	—	—	601264
552, 562	1¼	125 (8.5)	601171	699854	—	—	601267
552, 582	1½	125 (8.5)	601177	699854	—	—	600345
552	*2	125 (8.5)	—	699854	699865	601261	699853
553	1	175 (11.9)	601183	699854	—	—	601264
553	1¼	175 (11.9)	601142	699854	—	—	601267
553	1½	175 (11.9)	601184	699854	—	—	600345
553	*2	175 (11.9)	—	699854	699864	601261	699853
540, 590	¾	30 (2.0)	601126	699854	—	—	601264
560, 590	1	30 (2.0)	601132	699854	—	—	601267
580, 590	1½	30 (2.0)	601141	699854	—	—	600345
590	*2	30 (2.0)	—	699854	699863	601335	699852
590	*2½	30 (2.0)	—	699854	699859	699855	699851
541, 591	¾	75 (5.1)	601144	699854	—	—	601264
561, 591	1	75 (5.1)	601150	699854	—	—	601267
581, 591	1½	75 (5.1)	601159	699854	—	—	600345
591	*2	75 (5.1)	—	699854	699862	601335	699852
591	*2½	75 (5.1)	—	699854	699858	699855	699851
542, 592	¾	125 (8.5)	601162	699854	—	—	601264
562, 592	1	125 (8.5)	601168	699854	—	—	601267
592	1¼	125 (8.5)	601174	699854	—	—	601270
592	*2	125 (8.5)	—	699854	699861	601335	699852
592	*2½	125 (8.5)	—	699854	699857	699855	699851
593	¾	175 (11.9)	601180	699854	—	—	601264
593	1	175 (11.9)	601186	699854	—	—	601267
593	1¼	175 (11.9)	601189	699854	—	—	601270
593	*2	175 (11.9)	—	699854	699860	601335	699852
593	*2½	175 (11.9)	—	699854	699856	699855	699851

*Models have inlet and outlet tapings on the Cover Assembly
 Note: Cover Casting only sold with Cover Assembly.

Float and Thermostatic Steam Traps

Cover Assemblies for Spirax Sarco
Float & Thermostatic Steam Traps







Ordering Information

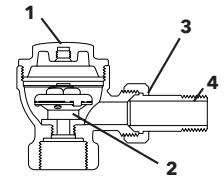
Spirax Sarco F&T Trap Model Number	Pressure psi (bar)	NPT	Hoffman Specialty Cover Assembly* Part Number	Cover Gasket Part Number
FT15	15 (1.0)	3/4	604001	604030
		1	604001	604030
		1 1/4	604006	604030
		1 1/2	604011	604031
FT30	30 (2.0)	3/4	604002	604030
		1	604002	604030
		1 1/4	604007	604030
		1 1/2	604012	604031
FT75	75 (5.1)	3/4	604003	604030
		1	604003	604030
		1 1/4	604008	604031
		1 1/2	604013	604031
FT125	125 (8.5)	3/4	604004	604030
		1	604004	604030
		1 1/4	604009	604031
		1 1/2	604014	604031

* Cover assembly includes cover casting, all internal components, and cover gasket.

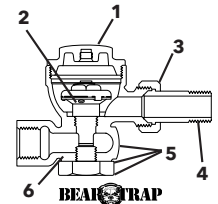
Thermostatic Steam Traps

Series 8C, 9C, 17C & 17K 

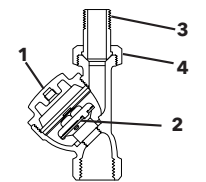
Model No.	Pattern	NPT	Item	Description	Part Number
 17C-2	Angle	1/2	1	Cap	601033
			2	Thermostat	600084
			3	Coupling Nut	601000
			4	Connection Nipple - 1 3/4"	601021
			4	Connection Nipple - 1 3/8"	601009
 17C-2	Swivel	1/2	1	Cap	601033
			2	Thermostat	600084
			3	Coupling Nut	601000
			4	Connection Nipple - 1 3/4"	601021
			4	Connection Nipple - 1 3/8"	601009
			5	Swivel Connector Gasket (set of 2) Clamping Screw (qty 1)	600169
			6	Gasket (set of 2)	601027
 17C-2	Vertical	1/2	1	Cap	601033
			2	Thermostat	600084
			3	Coupling Nut	601000
			4	Connection Nipple - 1 3/4"	601009
8C-A-2	Angle	1/2	1	Cap	601036
			2	Thermostat	600205
			3	Coupling Nut	601000
			4	Connection Nipple - 1 3/4"	601009
17C-3 17C-3	Angle Straightaway	3/4	1	Cap	601033
			2	Thermostat	600084
			3	Coupling Nut	601003
			4	Connection Nipple - 1 3/4"	601012
8C-A-3 8C-S-3	Angle Straightaway	3/4	1	Cap	601036
			2	Thermostat	600205
			3	Coupling Nut	601003
			4	Connection Nipple - 1 3/4"	601012
17C-4	Angle	1	1	Cap	601033
			2	Thermostat	600084
			3	Coupling Nut	601018
			4	Connection Nipple - 1 1/8"	601015
9C-A-4	Angle	1	1	Cap	601039
			2	Thermostat	600205
			3	Coupling Nut	601018
			4	Connection Nipple - 1 1/8"	601015
8C 9C	All	1/2-1	-	Spanner Wrench	600209
17K	Angle, Swivel or Vertical	1/2	2	Coupling Nut	601000
			3	Connection Nipple - 1 3/4"	601021
			5	Swivel Connector Gasket (set of 2) Clamping Screw	600169
			6	Gasket (set of 2)	601027



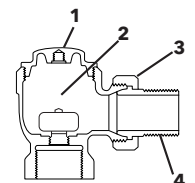

Model 17C Angle Trap



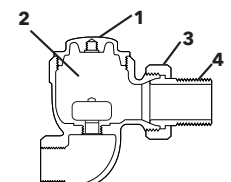

Model 17C Swivel Trap



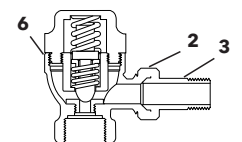

Model 17C Vertical Trap



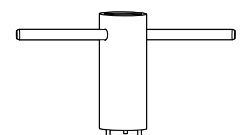
Models 8C and 9C
Angle Trap



Model 8C and 17C
Straightaway



Model 17K



Spanner Wrench
Used on 8C & 9C

Note: For Series 8, 8H, 9 & 9H the entire trap must be replaced with a Series 8C or 9C trap. However, the existing union nut and tailpiece can be used to connect the new trap.

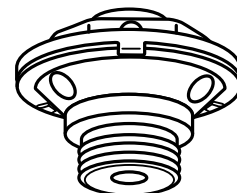
For Series 17A & 17D the entire trap must be replaced with a Series 17C trap.

For Series 17K the cap and element are no longer available. Replace entire trap with 17C if not functioning. Existing tailpiece and union nut may be reused.

Thermostatic Steam Traps

BEAR TRAP® Dura-stat® Replacement Modules

For listed Barnes & Jones, Dunham-Bush/MEPCO, Illinois, Spirax-Sarco, Warren Webster, and Hoffman Specialty Thermostatic Steam Trap models only. The all Stainless Steel Dura-stat® Replacement Module should be used to upgrade thermostatic steam traps. The Dura-stat is durable and water hammer resistant.

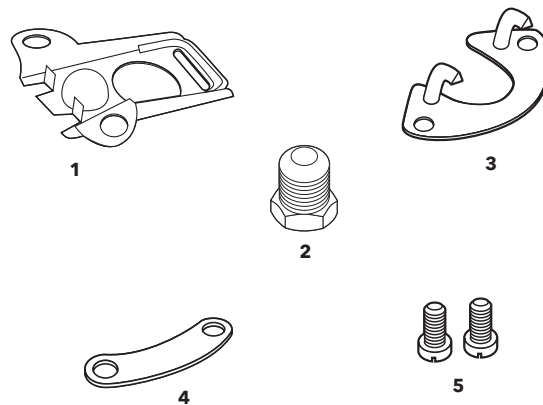


Selection

Trap Manufacturer	NPT	Model Number	BEAR TRAP® Dura-stat® Part Number:
Hoffman Specialty	½	17C	600084
Spirax-Sarco	½	TB-25, TH-25, TS-25, H	600056
Barnes & Jones	½	122	600053
Dunham-Bush/MEPCO	½	1C, 1E	600052
Illinois	½	1G	600056
Warren Webster	½	02H, 502	600250

Inverted Bucket Steam Traps

Series B0 **BEAR TRAP®**



Service Kit Contents

Item	Description
1	Valve lever assembly
2	Valve seat
3	Guide pin assembly
4	Nameplate
5	Guide pin assembly screws

Ordering Information

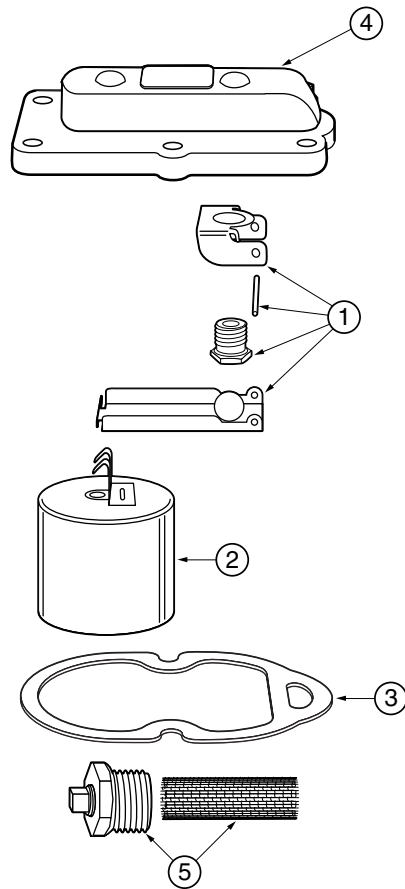
Model Number	Seat Pressure psi (bar)	Service Kit* Part Number	Item 6 Bucket Kit Parts Part Number	Item 7 Strainer Kit Part Number	Item 8 Gasket Part Number
B0020	20 (1.4)	600350	600355	600356	600354
B0080	80 (5.5)	600351	600355	600356	600354
B0125	125 (8.6)	600352	600355	600356	600354
B0150	150 (10.3)	600353	600355	600356	600354

* Service Kit also fits the following steam traps:

Steam Trap Model Number	
Armstrong	800, 880
Spence/Nicholson	80, 80S

Inverted Bucket Steam Traps

Series B1 & B2 **BEAR TRAP®**



Item	Description
1	Internal parts (includes cover gasket, item 3)
2	Bucket kit
3	Cover gasket
4	Cover
5	Strainer kit

Inverted Bucket Steam Traps

Series B1 & B2  **BEAR TRAP®**

Ordering Information

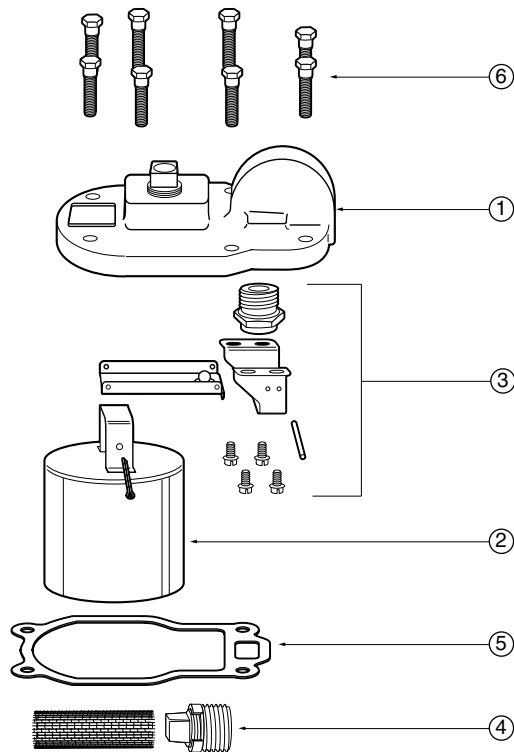
Model Number *	Seat Pressure psi (bar)	Items 1-4 Cover Assembly Part Number	Items 1-4 Cover Assembly W/ Thermic Vent Part Number	Item 2 Bucket Kit Part Number	Item 1 Internal Parts Part Number	Item 3 Gasket Part Number	Item 5 Strainer Kit Part Number
B1015A	15(1.0)	600410		600434	600438	604030	
B1015B	15(1.0)		600411	600435	600438	604030	601276
B1015S	15(1.0)	600410		600434	600438	604030	601276
B1015T	15(1.0)		600411	600435	600438	604030	
B1030A	30(2.0)	600412		600434	600439	604030	
B1030B	30(2.0)		600413	600435	600439	604030	601276
B1030S	30(2.0)	600412		600434	600439	604030	601276
B1030T	30(2.0)		600413	600435	600439	604030	
B1075A	75(5.1)	600414		600434	600440	604030	
B1075B	75(5.1)		600415	600435	600440	604030	601276
B1075S	75(5.1)	600414		600434	600440	604030	601276
B1075T	75(5.1)		600415	600435	600440	604030	
B1125A	125(8.5)	600416		600434	600441	604030	
B1125B	125(8.5)		600417	600435	600441	604030	601276
B1125S	125(8.5)	600416		600434	600441	604030	601276
B1125T	125(8.5)		600417	600435	600441	604030	
B1180A	180(12.2)	600418		600434	600442	604030	
B1180B	180(12.2)		600419	600435	600442	604030	601276
B1180S	180(12.2)	600418		600434	600442	604030	601276
B1180T	180(12.2)		600419	600435	600442	604030	
B1250A	250(17.0)	600420		600434	600443	604030	
B1250B	250(17.0)		600421	600435	600443	604030	601276
B1250S	250(17.0)	600420		600434	600443	604030	601276
B1250T	250(17.0)		600421	600435	600443	604030	
B2015A	15(1.0)	600422		600436	600444	604030	
B2015B	15(1.0)		600423	600437	600444	604030	601276
B2015S	15(1.0)	600422		600436	600444	604030	601276
B2015T	15(1.0)		600423	600437	600444	604030	
B2030A	30(2.0)	600424		600436	600445	604030	
B2030B	30(2.0)		600425	600437	600445	604030	601276
B2030S	30(2.0)	600424		600436	600445	604030	601276
B2030T	30(2.0)		600425	600437	600445	604030	
B2075A	75(5.1)	600426		600436	600438	604030	
B2075B	75(5.1)		600427	600437	600438	604030	601276
B2075S	75(5.1)	600426		600436	600438	604030	601276
B2075T	75(5.1)		600427	600437	600438	604030	
B2125A	125(8.5)	600428		600436	600446	604030	
B2125B	125(8.5)		600429	600437	600446	604030	601276
B2125S	125(8.5)	600428		600436	600446	604030	601276
B2125T	125(8.5)		600429	600437	600446	604030	
B2180A	180(12.2)	600430		600436	600440	604030	
B2180B	180(12.2)		600431	600437	600440	604030	601276
B2180S	180(12.2)	600430		600436	600440	604030	601276
B2180T	180(12.2)		600431	600437	600440	604030	
B2250A	250(17.0)	600432		600436	600447	604030	
B2250B	250(17.0)		600433	600437	600447	604030	601276
B2250S	250(17.0)	600432		600436	600447	604030	601276
B2250T	250(17.0)		600433	600437	600447	604030	

PACK OF 10 GASKETS FOR ALL SERIES B1 & B2 UNITS ORDER PART NUMBER: 600245

* Note: "J" suffix at end of model number indicates BSPT threads

Inverted Bucket Steam Traps

Series B3 & B4 **BEAR TRAP®**



Item	Description
1	Cover (casting only)
2	Bucket kit
3	Internal parts (includes cover gasket, item 5)
4	Strainer kit
5	Gasket
6	Cover bolt kit

Inverted Bucket Steam Traps

Series B3, B4 

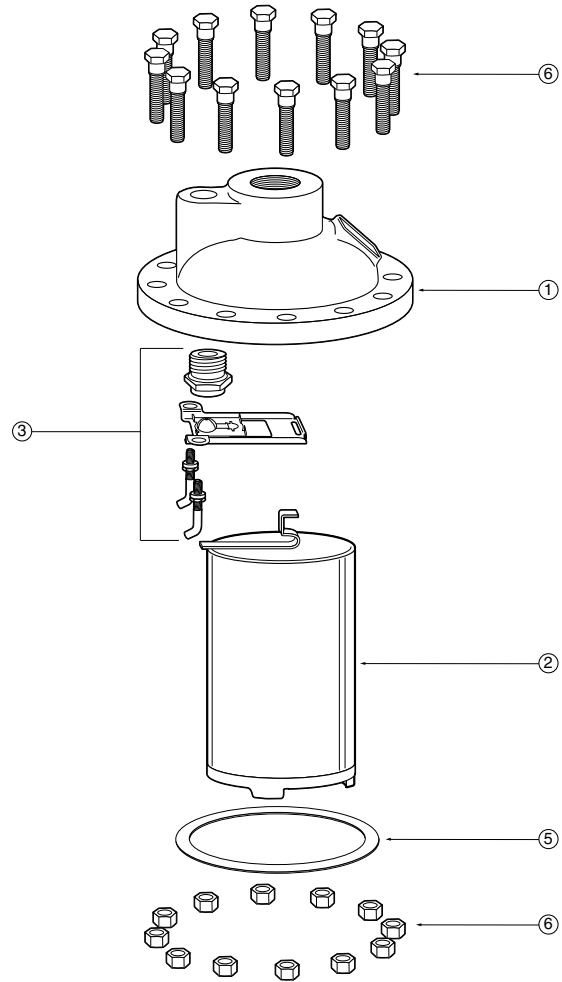
Ordering Information

Model * Number	Seat Pressure psi (bar)	Item 1 Cover Casting Part Number	Item 2 Bucket Kit Part Number	Item 3 and 5 Internal Parts Part Number	Item 4 Strainer Kit Part Number	Item 5 Gasket Part Number	Item 6 Cover Bolt Kit Part Number
B3015A	15 (1.0)	600217	600469	600463		600472	600220
B3015B	15 (1.0)	600217	600470	600463	600471	600472	600220
B3015S	15 (1.0)	600217	600469	600463	600471	600472	600220
B3015T	15 (1.0)	600217	600470	600463		600472	600220
B3030A	30 (2.0)	600217	600469	600464		600472	600220
B3030B	30 (2.0)	600217	600470	600464	600471	600472	600220
B3030S	30 (2.0)	600217	600469	600464	600471	600472	600220
B3030T	30 (2.0)	600217	600470	600464		600472	600220
B3075A	75 (5.1)	600217	600469	600465		600472	600220
B3075B	75 (5.1)	600217	600470	600465	600471	600472	600220
B3075S	75 (5.1)	600217	600469	600465	600471	600472	600220
B3075T	75 (5.1)	600217	600470	600465		600472	600220
B3125A	125 (8.5)	600217	600469	600466		600472	600220
B3125B	125 (8.5)	600217	600470	600466	600471	600472	600220
B3125S	125 (8.5)	600217	600469	600466	600471	600472	600220
B3125T	125 (8.5)	600217	600470	600466		600472	600220
B3180A	180 (12.2)	600217	600469	600467		600472	600220
B3180B	180 (12.2)	600217	600470	600467	600471	600472	600220
B3180S	180 (12.2)	600217	600469	600467	600471	600472	600220
B3180T	180 (12.2)	600217	600470	600467		600472	600220
B3250A	250 (17.0)	600217	600469	600468		600472	600220
B3250B	250 (17.0)	600217	600470	600468	600471	600472	600220
B3250S	250 (17.0)	600217	600469	600468	600471	600472	600220
B3205T	250 (17.0)	600217	600470	600468		600472	600220
B4015A	15 (1.0)	600221	600233	600223		600238	600239
B4015B	15 (1.0)	600221	600235	600223	600236	600238	600239
B4015S	15 (1.0)	600221	600233	600223	600236	600238	600239
B4015T	15 (1.0)	600221	600235	600223		600238	600239
B4030A	30 (2.0)	600221	600233	600224		600238	600239
B4030B	30 (2.0)	600221	600235	600224	600236	600238	600239
B4030S	30 (2.0)	600221	600233	600224	600236	600238	600239
B4030T	30 (2.0)	600221	600235	600224		600238	600239
B4075A	75 (5.1)	600221	600233	600226		600238	600239
B4075B	75 (5.1)	600221	600235	600226	600236	600238	600239
B4075S	75 (5.1)	600221	600233	600226	600236	600238	600239
B4075T	75 (5.1)	600221	600235	600226		600238	600239
B4125A	125 (8.5)	600221	600233	600229		600238	600239
B4125B	125 (8.5)	600221	600235	600229	600236	600238	600239
B4125S	125 (8.5)	600221	600233	600229	600236	600238	600239
B4125T	125 (8.5)	600221	600235	600229		600238	600239
B4180A	180 (12.2)	600221	600233	600230		600238	600239
B4180B	180 (12.2)	600221	600235	600230	600236	600238	600239
B4180S	180 (12.2)	600221	600233	600230	600236	600238	600239
B4180T	180 (12.2)	600221	600235	600230		600238	600239
B4250A	250 (17.0)	600221	600233	600232		600238	600239
B4250B	250 (17.0)	600221	600235	600232	600236	600238	600239
B4250S	250 (17.0)	600221	600233	600232	600236	600238	600239
B4250T	250 (17.0)	600221	600235	600232		600238	600239

* Note: "J" suffix at end of model number indicates BSPT threads

Inverted Bucket Steam Traps

Series B6 **BEAR TRAP**®



Item	Description
1	Cover (casting only)
2	Bucket kit
3	Internal parts (includes cover gasket, item 5)
5	Gasket
6	Cover bolt kit

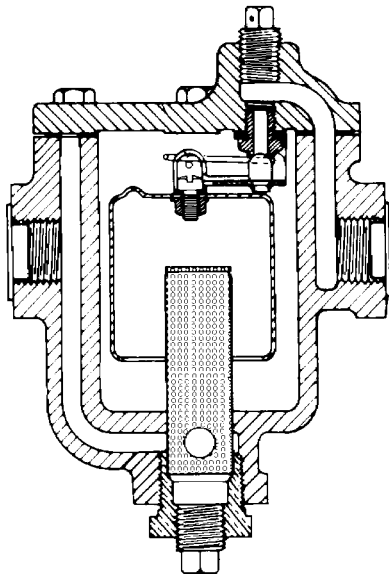
Ordering Information

Model Number	Seat Pressure psi (bar)	NPT	Item 1 Cover Casting Part Number	Item 2 Bucket Kit Part Number	Items 3 and 5 Internal Parts Part Number	Item 5 Gasket Part Number	Item 6 Cover Bolt Kit Part Number
B6025A	25 (1.7)	1½	600184	600182	600200	601391	600242
B6025A	25 (1.7)	2	600185	600182	600200	601391	600242
B6040A	40 (2.7)	1½	600184	600182	600178	601391	600242
B6040A	40 (2.7)	2	600185	600182	600178	601391	600242
B6125A	125 (8.5)	1½	600184	600182	600179	601391	600242
B6125A	125 (8.5)	2	600185	600182	600179	601391	600242
B6250A	250 (17.0)	1½	600184	600182	600181	601391	600242
B6250A	250 (17.0)	2	600185	600182	600181	601391	600242

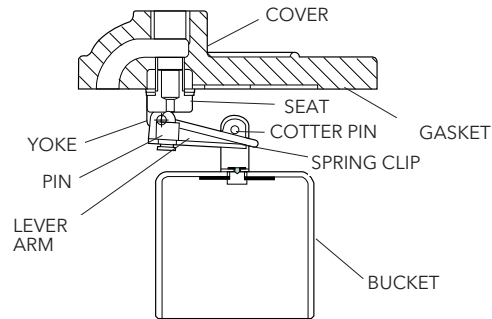
Inverted Bucket Steam Traps

Series 600 **BEAR TRAP®**

(Not Currently Manufactured)

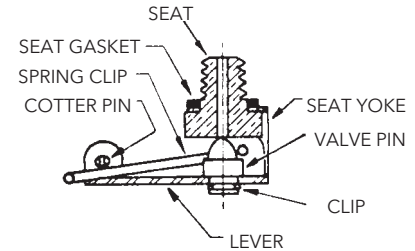


Cover Assembly



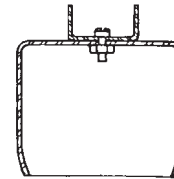
Internal Parts Assembly Service Package

Trap Model
601A



Bucket Assembly Service Package

Trap Model
601A & 601AS



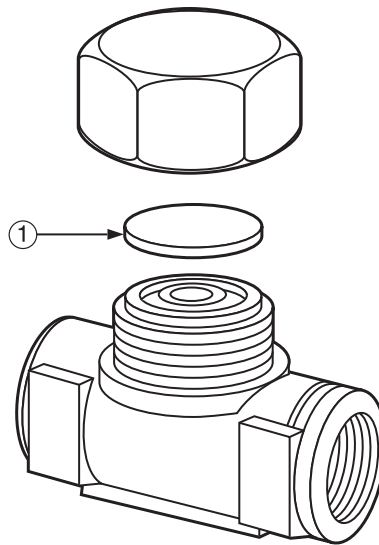
Ordering Information

Model Number	NPT	Pressure psi (bar)	Cover Assembly Part Number	Bucket Assembly Part Number	Internal Parts Part Number	Gasket Part Number	Strainer Part Number
601A	½, ¾	30 (2.0)	601380	600138	600198	601273	N/A
601A	½, ¾	75 (5.1)	601383	600138	600201	601273	N/A
601A	½, ¾	125 (8.5)	601386	600138	600204	601273	N/A
601A	½, ¾	150 (10.2)	601389	600138	600207	601273	N/A
601A	½, ¾	200 (13.8)	N/A	600138	600210	601273	N/A
601A	½, ¾	250 (17.0)	601392	600138	600213	601273	N/A
601AT	½, ¾	30 (2.0)	N/A	N/A	600198	601273	N/A
601AT	½, ¾	75 (5.1)	N/A	N/A	600201	601273	N/A
601AT	½, ¾	125 (8.5)	N/A	N/A	600204	601273	N/A
601AT	½, ¾	150 (10.2)	N/A	N/A	600207	601273	N/A
601AT	½, ¾	200 (13.8)	N/A	N/A	600210	601273	N/A
601AT	½, ¾	250 (17.0)	N/A	N/A	600213	601273	N/A
601AS	½, ¾	30 (2.0)	601380	600138	600198	601273	601276*
601AS	½, ¾	75 (5.1)	601383	600138	600201	601273	601276*
601AS	½, ¾	125 (8.5)	601386	600138	600204	601273	601276*
601AS	½, ¾	150 (10.2)	601389	600138	600207	601273	601276*
601AS	½, ¾	200 (13.8)	N/A	600138	600210	601273	601276*
601AS	½, ¾	250 (17.0)	601392	600138	600213	601273	601276*
601AST	½, ¾	30 (2.0)	N/A	N/A	600198	601273	601276*
601AST	½, ¾	75 (5.1)	N/A	N/A	600201	601273	601276*
601AST	½, ¾	125 (8.5)	N/A	N/A	600204	601273	601276*
601AST	½, ¾	150 (10.2)	N/A	N/A	600207	601273	601276*
601AST	½, ¾	200 (13.8)	N/A	N/A	600210	601273	601276*
601AST	½, ¾	250 (17.0)	N/A	N/A	600213	601273	601276*

* Strainer kit, 601276, only fits traps with horizontal strainers.

Thermodisc Steam Traps

Series TD **BEAR TRAP**



Replacement Disc Kits Contents

Includes 5 discs

Item	Description
1	Disc

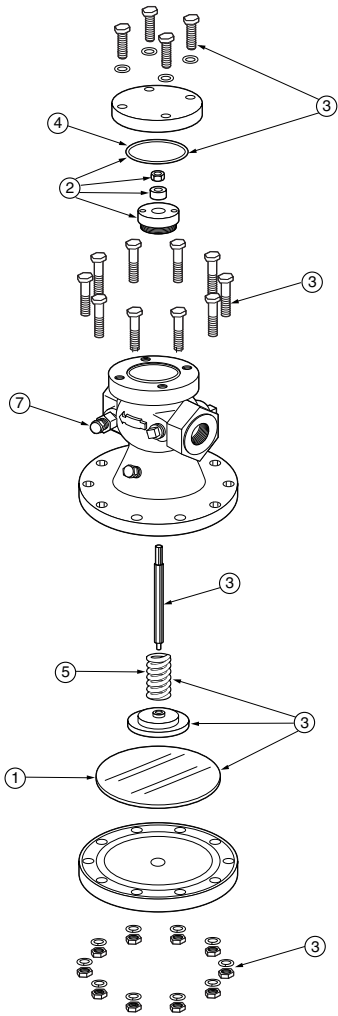
Ordering Information

Model Number	Size	Part Number
TD6523	3/8	600357
TD6524	1/2	600358
TD6526	3/4	600359
TD6528	1	600360

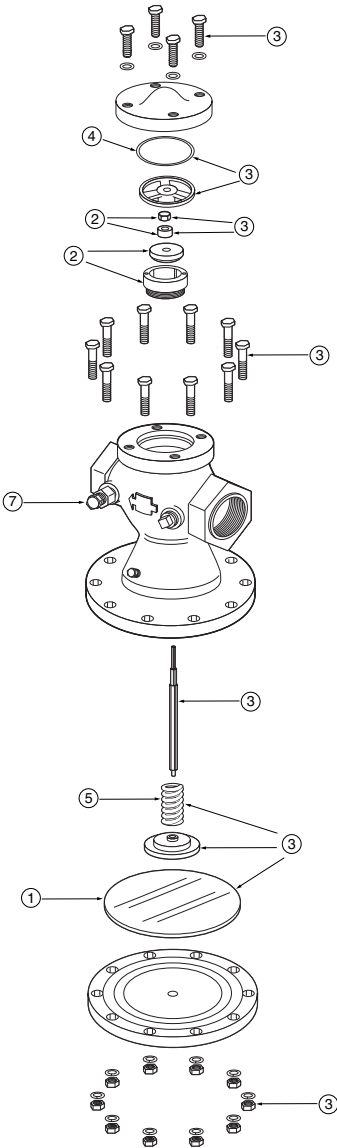
TD6423	3/8	600361
TD6424	1/2	600361
TD6426	3/4	600363
TD6428	1	600363

Pressure/Temperature Regulators, Pilot-Operated

Series 2100 Main Valve



1/2" - 1-1/2"



2"

Service Kit Contents

Item	Description
1	Diaphragms
2	Plug & Seat Kit
3	Rebuild Kit
4	Cover Gasket
5	Spring
6	Seat Tool (to remove seat from main valve body)
7	Bleed Orifice

Pressure/Temperature Regulators, Pilot-Operated Series 2100 Main Valve with Threaded NPT Connections

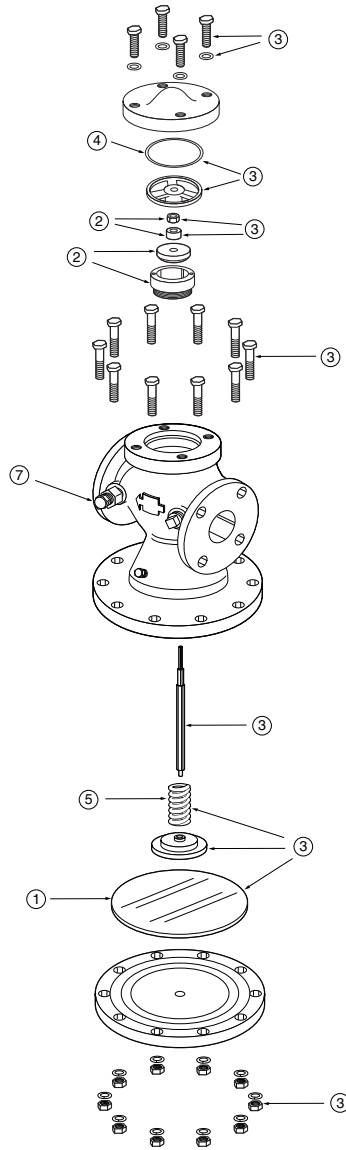
Ordering Information

Model Number	NPT	Item 1 Diaphragms Part Number	Item 2 Plug and Seat Part Number	Item 3 Rebuild Kit Part Number	Item 4 Cover Gasket Part Number	Item 5 Spring Part Number	Item 6 Seat Tool Part Number	Item 7 Bleed Orifice Part Number
2100FP	½	600202	699930	699929	602240	600089	601232	600215
2100NP	½	600202	699931	699929	602240	600089	601232	600215
2100RP	½	600202	699932	699929	602240	600089	601232	600215
2100FP	¾	600202	699933	699929	602240	600089	601232	600215
2100NP	¾	600202	699934	699929	602240	600089	601232	600215
2100RP	¾	600202	699930	699929	602240	600089	601232	600215
2100FP	1	600202	699936	699929	602240	600089	601232	600215
2100NP	1	600202	699933	699929	602240	600089	601232	600215
2100RP	1	600202	699934	699929	602240	600089	601232	600215
2100FP	1¼	602233	699940	699939	600020	600079	601230	600215
2100NP	1¼	602233	699941	699939	600020	600079	601230	600215
2100RP	1¼	602233	699942	699939	600020	600079	601230	600215
2100FP	1½	602233	699943	699939	600020	600079	601230	600215
2100NP	1½	602233	699940	699939	600020	600079	601230	600215
2100RP	1½	602233	699941	699939	600020	600079	601230	600215
2100FP	2	602217	699947	699946	600023	601089	601230	600215
2100NP	2	602217	699943	699946	600023	601089	601230	600215
2100RP	2	602217	699940	699946	600023	601089	601230	600215

Model Number	NPT	Item 1 Diaphragms Part Number	Item 2 Plug and Seat Part Number	Item 3 Rebuild Kit Part Number	Item 4 Cover Gasket Part Number	Item 5 Spring Part Number	Item 6 Seat Tool Part Number	Item 7 Bleed Orifice Part Number
2150	¾	699970	699933	699967	602240	600077	601232	600215
2150	1	699970	699969	699967	602240	600077	601232	600215
2150	1¼	600406	699943	699971	600020	600409	601230	600215
2150	1½	600406	699973	699971	600020	600409	601230	600215
2150	2	699976	699975	699974	600023	600080	600135	600215

Pressure/Temperature Regulators, Pilot-Operated

Series 2200 Main Valve
Series 2300 Main Valve



Service Kit Contents

Item	Description
1	Diaphragms
2	Plug & Seat Kit
3	Rebuild Kit
4	Cover Gasket
5	Spring
6	Seat Tool (to remove seat from main valve body)
7	Bleed Orifice

Pressure/Temperature Regulators, Pilot-Operated

Series 2200 Main Valve with 125 psi Flange Connection
 Series 2300 Main Valve with 250 psi Flange Connection

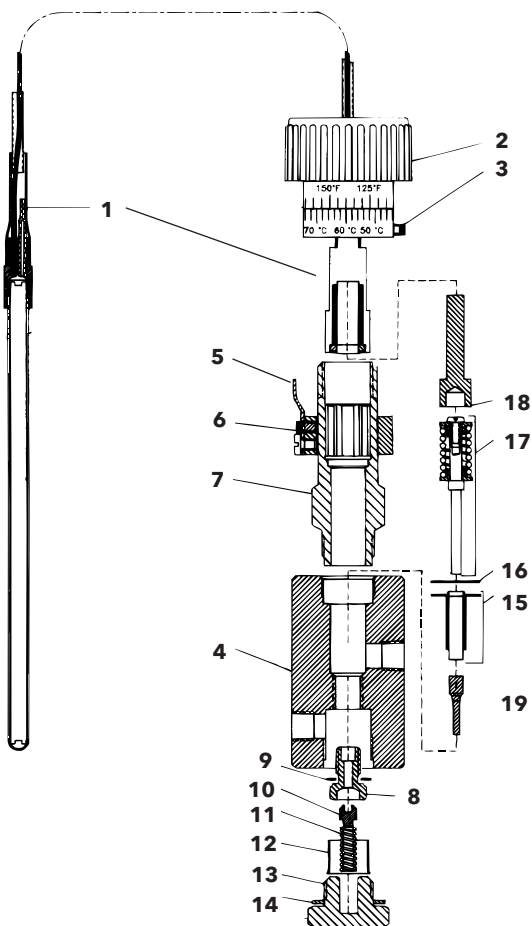
Ordering Information

Model Number 125 Flange	Model Number 250 Flange	Size in. (mm)	Item 1 Diaphragms Part Number	Item 2 Plug and Seat Part Number	Item 3 Rebuild Kit Part Number	Item 4 Cover Gasket Part Number	Item 5 Spring Part Number	Item 6 Seat Tool Part Number	Item 7 Bleed Orifice Part Number
2200FP	2300FP	2 (50)	602217	699947	699946	600023	601089	601230	600215
2200NP	2300NP	2 (50)	602217	699943	699946	600023	601089	601230	600215
2200RP	2300RP	2 (50)	602217	699940	699946	600023	601089	601230	600215
2200FP	2300FP	2½ (65)	600403	699951	699950	602235	601091	601338	600215
2200NP	2300NP	2½ (65)	600403	699952	699950	602235	601091	601338	600215
2200RP	2300RP	2½ (65)	600403	699953	699950	602235	601091	601338	600215
2200FP	2300FP	3 (80)	600206	699955	699954	600208	600085	601338	600215
2200NP	2300NP	3 (80)	600206	699951	699954	600208	600085	601338	600215
2200RP	2300RP	3 (80)	600206	699952	699954	600208	600085	601338	600215
2200FP	2300FP	4 (100)	602212	699959	699958	602231	602213	601420	600215
2200NP	2300NP	4 (100)	602212	699960	699958	602231	602213	601420	600215
2200RP	2300RP	4 (100)	602212	699961	699958	602231	602213	601420	600215
2200FP	2300FP	6 (150)	699966	699963	699962	601190	601188	601421	600215
2200NP	2300NP	6 (150)	699966	699964	699962	601190	601188	601421	600215
2200RP	2300RP	6 (150)	699966	699965	699962	601190	601188	601421	600215

Model Number 125 Flange	Size in./mm	Item 1 Diaphragms Part Number	Item 2 Plug and Seat Part Number	Item 3 Rebuild Kit Part Number	Item 4 Cover Gasket Part Number	Item 5 Spring Part Number	Item 6 Seat Tool Part Number	Item 7 Bleed Orifice Part Number
2250	2 (50)	699976	699975	699974	600023	600080	600135	600215
2250	2½ (65)	600403	699951	699826	602235	600082	601338	600215
2250	3 (80)	600206	699955	699827	600208	600083	601388	600215
2250	4 (100)	602212	699959	699828	602231	601411	601420	600215
2250	6 (150)	699966	699963	699829	601190	600091	601421	600215

Series 2000 Pilot Operated Temperature Control Pilots

Series STPA



Item	Description	Item	Description
1	Actuator Assembly	11	Spring
2	Knob	12	Screen
3	Set Screw	13	Cap
4	Body	14	Gasket
5	Pointer	15	Seal Bellows
6	Set Screw	16	Gasket
7	Adjustment Sleeve	17	Over Heat Assembly
8	Seat	18	Push Rod
9	Gasket	19	Plug
10	Button, Spring		

Repair Parts

Description	Part Number
Complete Body Assembly (Includes items 4 thru 19)	400841
Seal Bellows Kit includes items 15, 16 & 17	600127
Rebuild Kit includes items 8 thru 17 & 19	600130
Bottom Repair Kit includes items 10 thru 14	600128

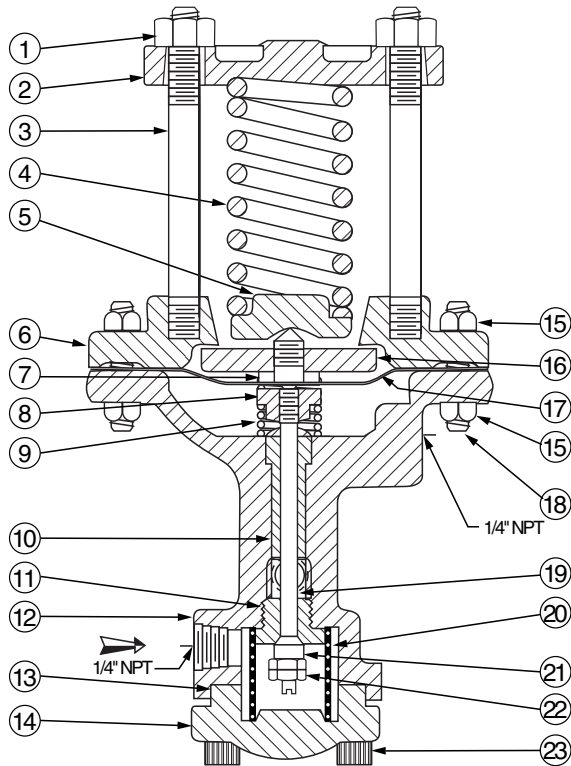
Actuator Assemblies

(includes actuator, knob and set screw)

Model Number	Part Number	Temperature Range °F (°C)	Capillary Length ft. (m)
STPA-200	400844	50-200 (10-93)	10 (3)
STPA-200	400845	50-200 (10-93)	15 (4.6)
STPA-200	400847	50-200 (10-93)	20 (6.1)
STPA-200	400848	50-200 (10-93)	25 (7.6)
STPA-200	400850	50-200 (10-93)	30 (9.1)
STPA-300	400851	150-300 (66-149)	10 (3)
STPA-300	400853	150-300 (66-149)	15 (4.6)
STPA-300	400854	150-300 (66-149)	20 (6.1)
STPA-300	400856	150-300 (66-149)	25 (7.6)
STPA-300	400857	150-300 (66-149)	30 (9.1)
STPA-400	400859	250-400 (121-204)	10 (3)

Series SPS Spring Pressure Control Pilots

For Series 2000 Regulators



Pilot Contents

Item	Description
1	Adjusting Nut
2	Spring Yoke
3	Standard
4	Adjusting Spring
5	Spring Button
6	Cowl
7	* Diaphragm Screw
8	* Pusher Plate
9	* Valve Spring
10	Bushing
11	* Seat Ring
12	Body, Bushing, Plug
13	* Gasket
14	Blind Flange
15	Diaphragm Nut
16	* Pressure Plate
17	* Diaphragm
18	Diaphragm Bolt
19	* Stem
20	* Screen
21	* Disc
22	* Stem Nut
23	Blind Flange Bolt

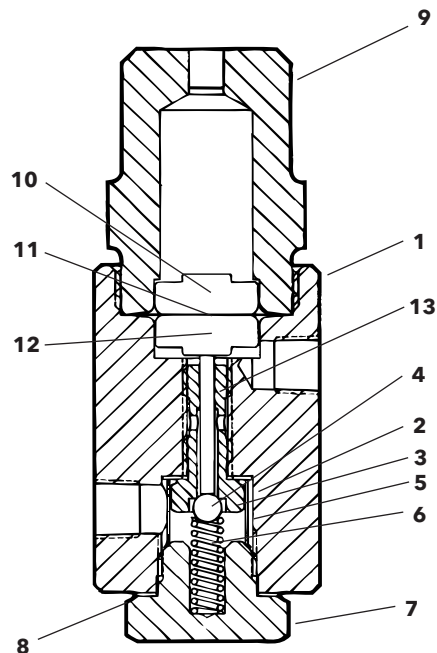
Part Number	Description
600325	SPS Adjusting Spring - 2 - 30 psig Blue
600326	SPS Adjusting Spring - 5 - 60 psig Red
600327	SPS Adjusting Spring - 20 - 175 psig Gold
600329	2000 SPS Repair Kit (incl. 7,8,9,11,13,16,17,19 thru 22)

Pressure Range psig (bar)	Spring Color	Wire Diameter in. (mm)
2-30 (0.1-2.0)	Blue	$\frac{3}{16}$ (4)
5-60 (0.3-4.1)	Red	$\frac{1}{4}$ (6)
20-175 (1.4-11.9)	Gold	$1\frac{1}{32}$ (9)

Item	* SPS Repair Kit Consists of:
7	Diaphragm Screw (1)
8	Pusher Plate (1)
9	Valve Spring (1)
11	Seat Ring (1)
13	Gasket (1)
16	Pressure Plate (1)
17	Diaphragm (3) (use only 2 pcs on SPS-30 and SPS-60)
19	Stem (1)
20	Screen (1)
21	Disc (1)
22	Stem Nut (2)

Series AP Air Pressure Control Pilots

For Series 2000 Regulators



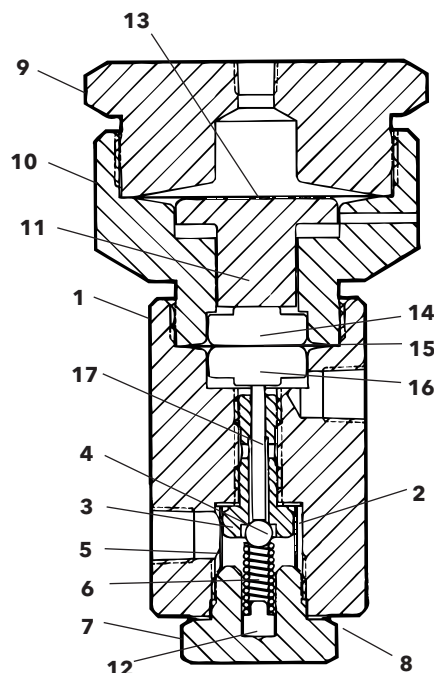
Model AP-1A

Service Kit Contents

Item	Description
1	Body
2	Seat Gasket
3	Seat
4	Ball
5	Strainer
6	Spring
7	Plug
8	Plug Gasket
9	Cap
10	Top diaphragm button
11	Diaphragms (3)
12	Bottom diaphragm button
13	Stem

Ordering Information

Description	Part Number
Diaphragm kit (set of 3)	600100
Rebuild kit (includes items 2 - 6, 8 & 13)	600191
Bottom kit (includes items 4 - 6, 8 & 13)	600194



Model AP-4A

Service Kit Contents

Item	Description
1	Body
2	Seat Gasket
3	Seat
4	Ball
5	Strainer
6	Spring
7	Plug
8	Plug Gasket
9	Cap
10	Body Adapter
11	Pusher
12	Spring Spacer
13	Top Diaphragms (2)
14	Top Diaphragm Button
15	Diaphragms (3)
16	Bottom Diaphragm Button
17	Stem

Ordering Information

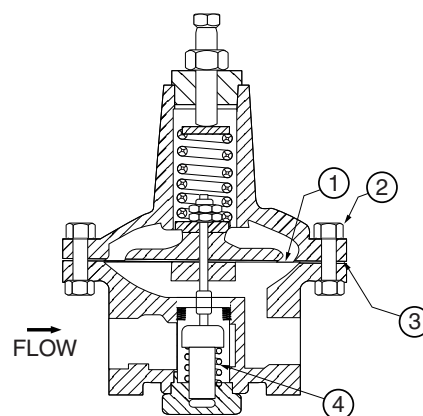
Description	Part Number
Diaphragm kit (set of 13 & 15)	600101
Rebuild kit (includes items 2 - 6, 8, 12 & 17)	600107
Bottom kit (includes items 4 - 6, 8, 12 & 17)	600104

Self-Contained Pressure Reducing Valves

Series 754

Rebuild Kit Contents

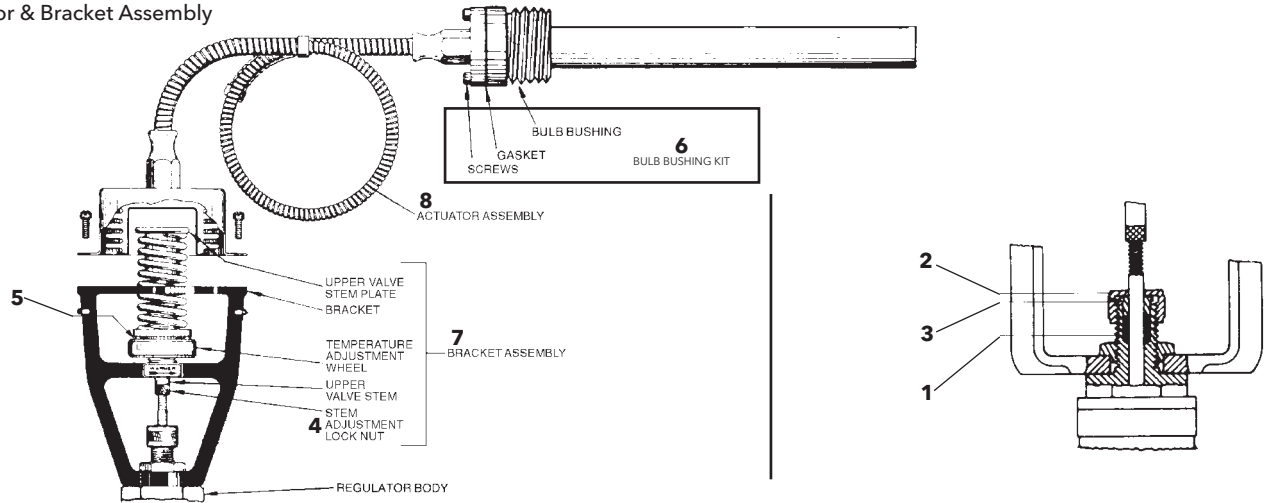
Item	Description
1	Diaphragm (2)
2	Diaphragm Nuts & Bolts
3	Diaphragm Gasket
4	Bottom Spring



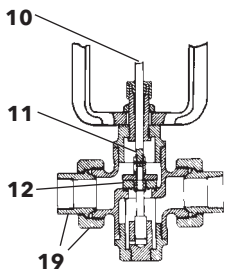
NPT	Rebuild Kit (Includes Items 1-4) Part Number	Outlet Pressure Range		Top Spring Part Number	Spring Color
		psi	(bar)		
1/2 - 3/4	600500	0 - 10	(0 - .69)	600502	blue / yellow
		10 - 30	(.69 - 2.1)	600503	black / yellow
		40 - 100	(2.8 - 6.9)	600504	red / yellow
1	600501	0 - 10	(0 - .69)	600505	red / green
		10 - 30	(.69 - 2.1)	600506	red / blue
		40 - 80	(2.8 - 5.5)	600507	green / blue

Thermostatic Temperature Regulators Series 1140 & 1141

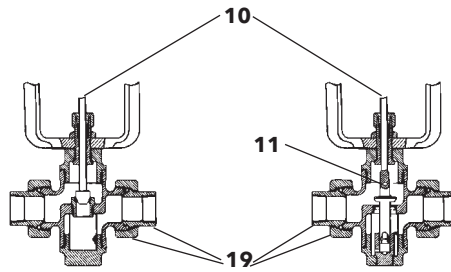
Actuator & Bracket Assembly



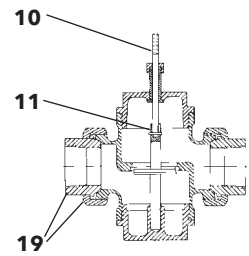
Body Code 01



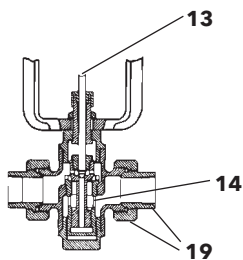
Body Code 02



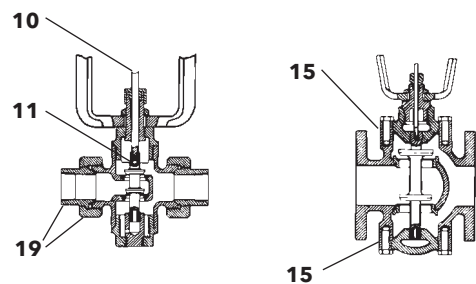
Body Code 02R



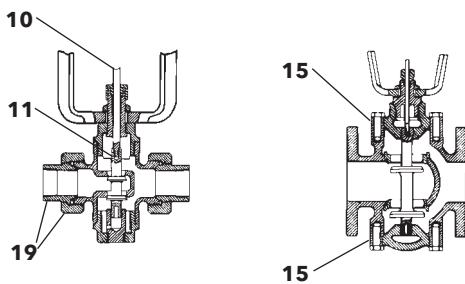
Body Code 03



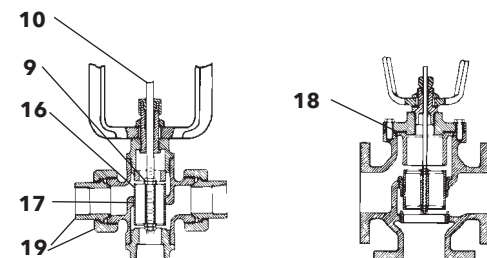
Body Code 05



Body Code 05R



Body Code 06



Thermostatic Temperature Regulators Body and Bracket

Body Code	NPT	Body & Bracket Assembly Part Number	Body Code	NPT	Body & Bracket Assembly Part Number	
01	½	401299	05	¾	401350	
	¾	401300		1	401353	
	1	401301		1¼	401356	
	1¼	401302		1½	401359	
	1½	401303		2	401362	
	2	401304		2½	401365	
02	½	401305		3	401368	
	¾	401306		4	401371	
	1	401307		05R	¾	401377
	1¼	401308			1	401380
	1½	401309	1¼		401383	
2	401310	1½	401386			
02R	½	401312	2		401389	
	¾	401311	2½		401392	
	1	401313	3		401387	
	1¼	401314	4		401395	
	1½	401317	½		401396	
03	2	401320	¾		401397	
	¾	401321	1	401398		
	1	401322	1¼	401399		
	1¼	401323	1½	401400		
	1½	401324	2	401401		
	2	401325	2½	401402		
			3	401403		
			4	401404		

Actuators Series 1140 Actuators (Cross ambient filled)

Part Number	Temperature Range °F (°C)	NPT	Body Code	Bulb Size (dia. x length)	Weight lbs. (kg)
400558	40-80 (4.4-27)	½-2	All	⅞ x 18 (22 x 457)	7 (3.2)
400561	60-100 (16-38)	½-2	All	⅞ x 18 (22 x 457)	7 (3.2)
400562	80-120 (27-49)	½-2	All	⅞ x 18 (22 x 457)	7 (3.2)
400563	100-140 (38-60)	½-2	All	⅞ x 18 (22 x 457)	7 (3.2)
400567	120-160 (49-71)	½-2	All	⅞ x 18 (22 x 457)	7 (3.2)
400606	140-180 (60-82)	½-2	All	⅞ x 18 (22 x 457)	7 (3.2)
400607	160-200 (71-93)	½-2	All	⅞ x 18 (22 x 457)	7 (3.2)
400570	180-220 (82-104)	½-2	All	⅞ x 18 (22 x 457)	7 (3.2)
400428	40-80 (4.4-27)	2½-4	05&06	1⅞ x 36 (29 x 914)	20 (9.1)
400572	60-100 (16-38)	2½-4	05&06	1⅞ x 36 (29 x 914)	20 (9.1)
400573	80-120 (27-49)	2½-4	05&06	1⅞ x 36 (29 x 914)	20 (9.1)
400574	100-140 (38-60)	2½-4	05&06	1⅞ x 36 (29 x 914)	20 (9.1)
400575	120-160 (49-71)	2½-4	05&06	1⅞ x 36 (29 x 914)	20 (9.1)
400615	140-180 (60-82)	2½-4	05&06	1⅞ x 36 (29 x 914)	20 (9.1)
400616	160-200 (71-93)	2½-4	05&06	1⅞ x 36 (29 x 914)	20 (9.1)
400617	180-220 (82-104)	2½-4	05&06	1⅞ x 36 (29 x 914)	20 (9.1)

Series 1141 Actuators (Non-cross ambient filled)

Do not use where ambient temperature exceeds set temperature control.

Note: All models have copper bulb and 10 ft. (3m) capillary.

Part Number	Temperature Range °F (°C)	NPT	Body Code	Bulb Size (dia. X length)	Weight lbs. (kg)
400980	120-160 (49-71)	½ -2	All	⅝ X 11 (16 X 280)	7 (3.2)
400981	140-180 (60-82)	½ -2	All	⅝ X 11 (16 X 280)	7 (3.2)
400982	160-200 (71-93)	½ -2	All	⅝ X 11 (16 X 280)	7 (3.2)
400983	180-220 (82-104)	½ -2	All	⅝ X 11 (16 X 280)	7 (3.2)

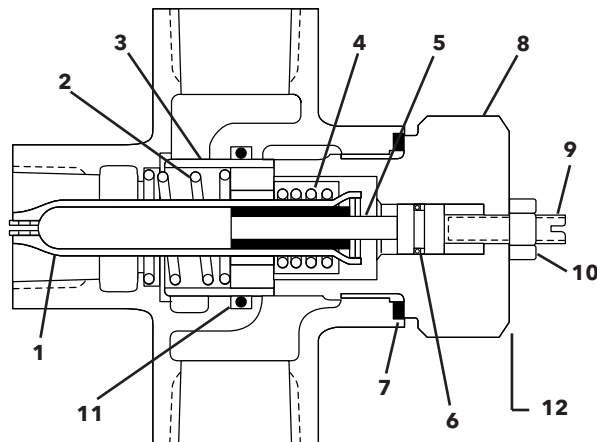
Thermostatic Temperature Regulators

Item Code	Description	Fits Body Code	NPT	Part Number
1	PACKING	01, 02(R)	½ - 2	602255
		05(R), 06	½ - 4	
		03	¾ - 2	
2	PACKING NUT	01, 02(R)	½ - 2	601092
		05(R), 06	½ - 4	
		03	¾ - 2	
3	PACKING GLAND	01, 02(R)	½ - 2	699993
		05(R), 06	½ - 4	
		03	¾ - 2	
4	STEM ADJUSTMENT LOCK NUT	01, 02(R)	½ - 2	699991
		05(R), 06	½ - 4	
		03	¾ - 2	
5	BALL BEARINGS (SET OF 15) FOR ADJUSTING KNOB	01, 02(R)	½ - 2	699925
		05(R), 06	½ - 4	
		03	¾ - 2	
6	BULB BUSHING KIT Includes bulb bushing, gasket, and screws (4 each)	All	1140 ½ - 2 ⅝ x 18 (22x457) BULB	699923
			1141 ½ - 2 ⅝ x 11 (16x280) BULB	699981
			2½ - 4 1⅝ x 36 (29x914) BULB	699924
		Gasket Only	½ - 2	601408
7	BRACKET ASSEMBLY Includes bracket, return spring, upper stem, upper stem plate, adjusting knob and item 4	01, 02(R), 03 05(R) & 06	½ - 2	699998
		05(R)	2½ - 4	699999
		06	2½ - 4	699982
8	ACTUATOR ASSEMBLY		See Actuator Chart	
9	PISTON LOCK NUTS (SET OF 4)	06	½ - 4	699909
10	STEM	01	½ - 1¼	601200
			1½	699984
			2	699985
		02(R)	½ - 2	601200
		05(R)	½ - 2	601200
			2½ - 4	699992
		06	½	601103
			¾	699905
			1	699906
			1¼	699907
			1½ - 2	699908
2½ - 4	600086			
11	STEM LOCK PIN	01	½ - 1½	699986
		02(R)	½ - 1¼	
		05(R)	½ - 1¼	
		01	2	699987
		02(R)	1½ - 2	
05(R)	1½ - 4			

Thermostatic Temperature Regulators

Item Code	Description	Fits Body Code	NPT	Part Number
12	COMPOSITION VALVE DISC	01	½ - ¾	601202
			1	699988
			1¼	699989
			1½	699990
			2	600032
13	STEM ASSEMBLY	03	¾	699994
			1 - 1¼	699995
			1½	699996
			2	699997
14	SEAT & PLUNGER ASSEMBLY	03	¾	699900
			1	699901
			1¼	699902
			1½	699903
15	TOP & BOTTOM PLATE GASKET (SET OF 2)	05(R)	2	699904
			2½	699926
			3	699927
			4	699928
16	PISTON	06	½	699915
			¾	699916
			1	699917
			1¼	699918
			1½	699919
			2	699920
			2½	699921
			3	699922
			4	699879
17	"O"RING	06	½ - 1	601101
			1¼	699910
			1½	699911
			2	699912
			2½	699913
			3	699914
			4	699880
18	TOP PLATE GASKET	06	2½	699899
			3	699898
			4	699897
19	UNION NUT & TAILPIECE (SET OF 1 EACH)	All	½	699886
			¾	699885
			1	699884
			1¼	699883
			1½	699882
			2	699881

Tempering Valves Series 21



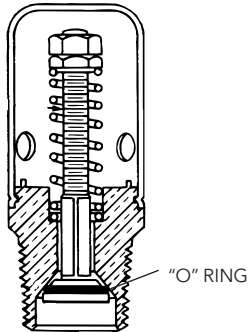
Item	Description	Repair Kits	Thermostat Kits	Body Gasket
1	Post Stat Assembly	X	X	
2	Piston Spring	X		
3	Piston	X		
4	Relief Spring Assembly	X	X	
5	Pushrod Assembly	X	X	
6	Pushrod O-ring	X	X	
7	Body Gasket	X	X	X
8	Bonnet	X		
9	Adjustment Screw	X		
10	Nut	X		
11	Body O-ring	X	X	
12	Label	X		

Model	Adjustable Temperature Range	
21	140°- 200°F	(60.0°- 93.3°C)
21H	100°- 200°F	(37.8°- 93.3°C)
21LT	100°- 140°F	(37.8°- 60.0°C)

Ordering Information

Model	NPT	Repair Kit Part Number	Thermostat Kit Part Number	Body Gasket
21	¾ & 1	600012	600000	600166
	1½ - 2	600015	600003	600167
21H	¾ & 1	600121	600124	600166
	1½ - 2	600122	600125	600167
21LT	¾ & 1	600033	600048	600166
	1½ - 2	600042	600051	600167

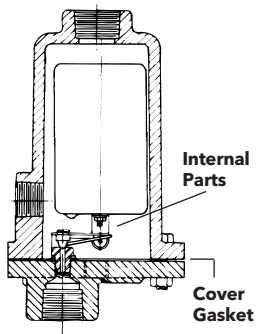
Vacuum Breakers



Model 62
Vacuum Breaker

"O" Ring Part No. 601313

Drain Valve



Model 793
Drain Valve

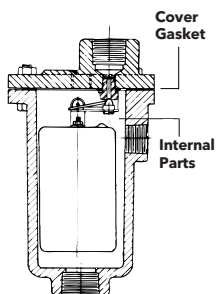
Cover Gasket Part No. 601273

Internal Parts Kit for 150 psi Part No. 600207
(includes pin, seat, lever arm, yoke,
cotter pin, cover gasket and internal
connecting hardware)

Internal Parts Kit for 250 psi Part No. 600213
(includes pin, seat, lever arm, yoke,
cotter pin, cover gasket and internal
connecting hardware)

Float. 600248

High Pressure Water Vent Valve



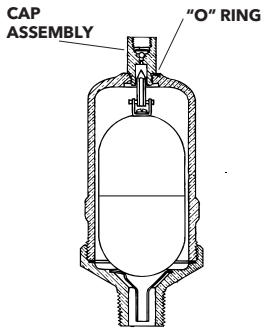
Model 792
High Pressure Water Vent Valve

Cover Gasket Part No. 601273

Internal Parts Kit Part No. 600204
(includes pin, seat, lever arm,
yoke, cotter pin, cover gasket
and internal connecting hardware)

Float. 600247

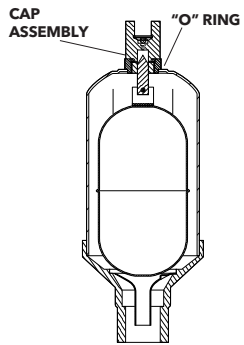
Water Vents



Model 78
Water Main Vent Valve

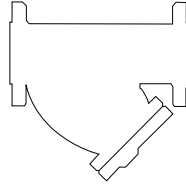
"O" Ring Part No. 600164
(Pkg. of 6)

Internal Parts Kit Part No..... 601402
(includes cap assembly,
"O" ring for base and valve pin)

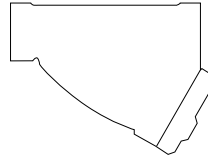


Model 79
Water Main Vent Valve

"O" Ring Part No. 600164
(Pkg. of 6)



Flanged End Y-Strainer



Screwed NPT End
Y-Strainer

Strainer Screens

Model	NPT	Screen Material	Screen Dims. OD x Length - in.(mm)	Part Number
415, 415A, 420, 420A	1/2	20 Mesh Type 304 SS	1 3/16 x 2 27/64 (21 x 62)	601294
	3/4	20 Mesh Type 304 SS	1 x 2 25/32 (25 x 71)	601300
	1	20 Mesh Type 304 SS	1 1/4 x 3 19/64 (32 x 84)	601306
	1 1/4	20 Mesh Type 304 SS	1 1/2 x 3 49/64 (38 x 96)	601309
	1 1/2	20 Mesh Type 304 SS	1 15/16 x 4 9/32 (49 x 109)	601312
	2	20 Mesh Type 304 SS	2 3/8 x 5 9/64 (60 x 131)	601315
	2 1/2	.045 Perf. Brass	3 1/2 x 5 3/4 (89 x 146)	601256
	3	.045 Perf. Brass	3 1/2 x 7 3/4 (89 x 197)	601321
415C	1/2	20 Mesh Type 304 SS	3/4 x 2 3/8 (19 x 60)	601297
	3/4	20 Mesh Type 304 SS	15/16 x 2 5/8 (24 x 67)	601303
	1	20 Mesh Type 304 SS	1 1/4 x 3 19/64 (32 x 84)	601306
	1 1/4	20 Mesh Type 304 SS	1 7/16 x 3 15/16 (37 x 100)	601327
	1 1/2	20 Mesh Type 304 SS	1 5/8 x 3 11/16 (41 x 94)	601330
	2	20 Mesh Type 304 SS	2 5/16 x 5 1/4 (59 x 133)	601333
	2 1/2	.045 Perf. Brass	2 17/16 x 6 1/2 (68 x 165)	602228
3	.045 Perf. Brass	3 5/16 x 7 1/16 (84 x 179)	601336	
420C	1/2	.045 Perf. Type 304	5/8 x 1 1/4 (16 x 32)	601339
	3/4	.045 Perf. Type 304	13/16 x 1 9/16 (21 x 40)	601236
	1	.045 Perf. Type 304	1 1/8 x 2 1/8 (29 x 54)	601238
	1 1/4	.045 Perf. Type 304	1 3/8 x 2 3/8 (35 x 60)	601239
	1 1/2	.045 Perf. Type 304	1 5/8 x 2 13/16 (41 x 71)	601241
	2	.045 Perf. Type 304	2 x 3 13/16 (51 x 97)	601205
	2 1/2	.057 Perf. 304 SS	2 1/2 x 4 3/8 (64 x 111)	601342
3	.057 Perf. 304 SS	3 3/8 x 4 1/2 (79 x 114)	601242	
450, 450A, 450B	1 1/2	.045 Perf. Type 18-8 SS	1 5/8 x 4 1/16 (41 x 103)	601331
	2	.045 Perf. Type 18-8 SS	2 3/16 x 5 3/8 (56 x 137)	601345
	2 1/2	.045 Perf. Type 18-8 SS	2 3/4 x 6 3/8 (70 x 162)	601348
	3	.045 Perf. Type 18-8 SS	3 3/16 x 8 (81 x 203)	601351
	4	.045 Perf. Type 18-8 SS	4 x 9 13/16 (102 x 249)	601354
	5	.045 Perf. Type 18-8 SS	5 1/2 x 12 1/8 (140 x 308)	601357
	6	.045 Perf. Type 18-8 SS	6 1/2 x 13 5/8 (165 x 346)	601360
	8	.045 Perf. Type 18-8 SS	8 1/2 x 14 1/2 (216 x 368)	601363
450C	1 1/2	.045 Perf. Type 18-8 SS	1 5/8 x 4 1/16 (41 x 103)	601331
	2	.045 Perf. Type 18-8 SS	2 1/8 x 5 5/16 (54 x 135)	601244
	2 1/2	.045 Perf. Type 18-8 SS	2 17/16 x 6 1/2 (68 x 165)	601245
	3	.045 Perf. Type 18-8 SS	3 5/16 x 7 1/16 (84 x 179)	601248
	4	.045 Perf. Type 18-8 SS	4 1/16 x 9 (103 x 229)	601250
	5	.045 Perf. Type 18-8 SS	5 1/16 x 11 3/4 (129 x 299)	601251
	6	.045 Perf. Type 18-8 SS	5 7/8 x 13 5/8 (149 x 346)	601289
	8	.045 Perf. Type 18-8 SS	7 13/16 x 16 3/4 (198 x 426)	601253

Xylem |'zīləm|

- 1) The tissue in plants that brings water upward from the roots;
- 2) a leading global water technology company.

We're 12,500 people unified in a common purpose: creating innovative solutions to meet our world's water needs. Developing new technologies that will improve the way water is used, conserved, and re-used in the future is central to our work. We move, treat, analyze, and return water to the environment, and we help people use water efficiently, in their homes, buildings, factories and farms. In more than 150 countries, we have strong, long-standing relationships with customers who know us for our powerful combination of leading product brands and applications expertise, backed by a legacy of innovation.

For more information on how Xylem can help you, go to www.xyleminc.com

The Little Red Schoolhouse® - Training the Industry



Seminars currently offered are:

- Modern Hydronic System Design - Basic
- Modern Hydronic System Design - Advanced
- Design & Application of Water Based HVAC Systems
- Large Chilled Water System Design
- Pump Service & Maintenance School
- Steam Systems Design & Applications
- Steam System Operation & Maintenance

Bell & Gossett has long been known for its dedication to training. The "Little Red Schoolhouse®" has graduated over 50,000 students since it was founded in 1954.

Graduates from the "Little Red Schoolhouse" may be found in every state of the Union as well as Europe, Africa, Asia and Australia.

For applications to attend these seminars, please contact a Bell & Gossett Representative in your area. They will have the schedule dates for all seminars and will make all the arrangements for you. As a service and a continuing educational source to the HVAC industry, these seminars are offered free of charge. CEU credits are awarded for each seminar as indicated.

xylem
Let's Solve Water

Xylem Inc.
8200 N. Austin Avenue
Morton Grove, Illinois 60053
Phone: (847) 966-3700
Fax: (847) 965-8379
www.xyleminc.com/brands/bellgossett

Bell & Gossett is a trademark of Xylem Inc. or one of its subsidiaries.
© 2012 Xylem Inc. HS-800C September 2012